

# High Accuracy Digital Gauge

## Digital Pressure Gauge

DPG

### Standard Versions

The ITIUK DPG offers 0.5% of span accuracy, whilst the laser-welded stainless steel sensor and socket makes the product suitable for use with a wide variety of pressure media in demanding industrial applications.

#### Accuracy (EN 837-1)

0.5% terminal point accuracy (0.25% optional)

#### Case Protection Type

IP 67 weatherproof enclosure

#### Nominal Case Size

2.5" (70mm)

#### Case Material

Polycarbonate/ABS

#### Wetted Parts

Type -3: Connection: 1.4571 (316 stainless steel)

#### Pressure Ranges (EN 837-1)

Available in various ranges from -1 to 1,600 bar

#### Temperature Limitations

Operating Temp: -20°C to 60°C (-4 °F to 140 °F)

Ambient Temperature: -20 °C to 80 °C (-4 °F to 176 °F)

#### Process Connection

1/4" BSP Male

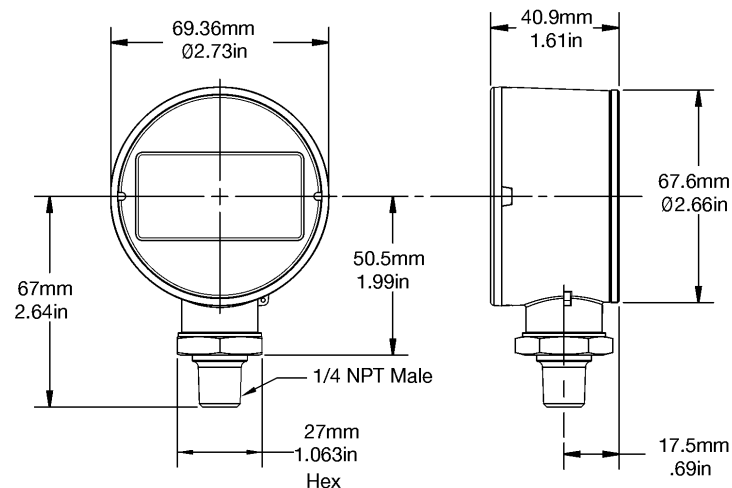
1/4" NPT Male

1/8" NPT Male

Others available on request



### Dimensional Data



### Features

Nine units of measurement:

psi, bar, inHg, cmHg, mmHg, kPa, MPa, kg/cm<sup>2</sup>, ftH<sub>2</sub>O and customer defined unit

Capable of measuring gauge, vacuum and compound ranges from -1 through to 1600 bar

Backlight: Optional (Blue Backlight)

Cycle life: 10 million cycles

5 Digit LCD (12mm character size)

20 Segment Bar Graph display

### Approvals

CE Compliant

ROHS Compliant

UL 61010 (approval pending)



## INSTRUMENTS TO INDUSTRY LTD

Euro Works - Hawksley Industrial Estate - Hawksley Street  
Oldham - OL8 4PQ - United Kingdom

T: +44 (0)161 652 7741

F: +44 (0)161 621 0389

E: sales@itiuk.com

W: www.itiuk.com

0200  
12/17