

CM™-800α



Materials in contact with the solution
Prism: Sapphire
Prism stage: SUS316L

*The packing is made by an excellent chemical resistance material.



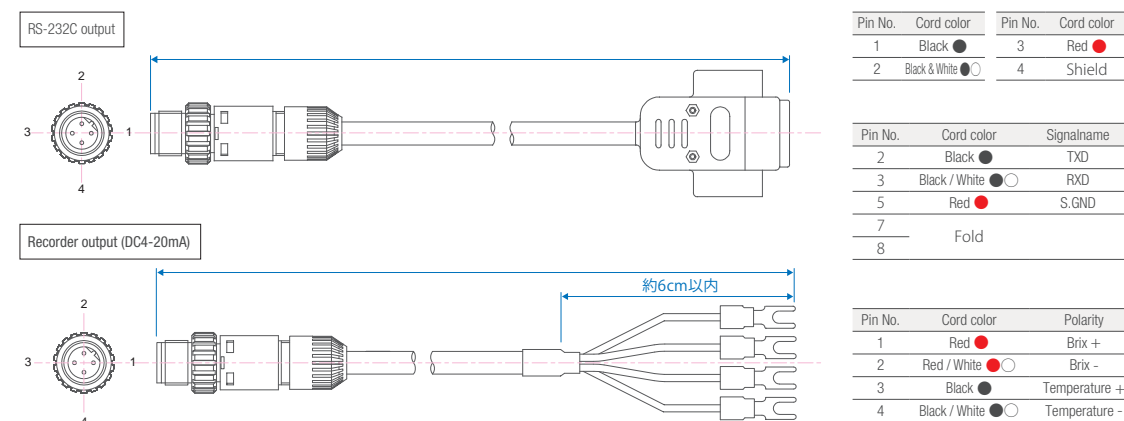
A compact model that has the display and operation panel in the front and the detection section on the back.
It measures 0.00 to 80.0% Brix at a $\pm 0.1\%$ accuracy.

Specifications

Cat.No.	3564
Measurement items	Brix (ATC according to the sample liquid), Temperature (°C / °F)
Measurement range	Brix: 0.00 to 80.0%, Temperature: -15 to 160°C / 5 to 320°F
Resolution	Brix: 0.01 or 0.1% (With an option to display measurements between 0.00 and 9.99% to the 2nd decimal place.), Temperature: 1°C / 1°F
Measurement accuracy	Brix: $\pm 0.1\%$, Temperature: $\pm 1^\circ\text{C} / \pm 1^\circ\text{F}$
Temperature compensation range	5 to 100°C
Measurement Interval	Approximately 1 measurement /second (factory default), 5 interval options. *Same for output intervals.
Pressure resistance	0.98MPa
Ambient temperature	5 to 40°C
Power consumption	Power consumption when using DC24V: 3VA; when using AC100-240V: 15VA.

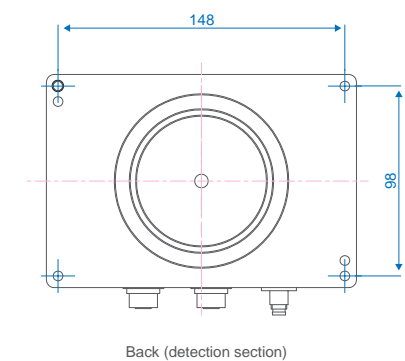
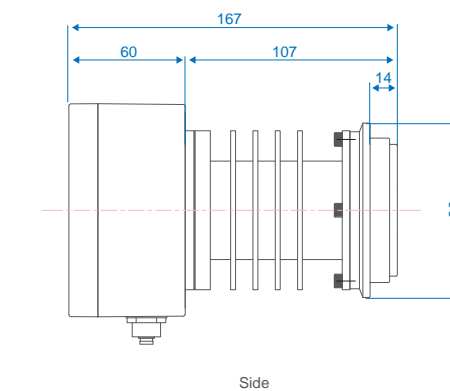
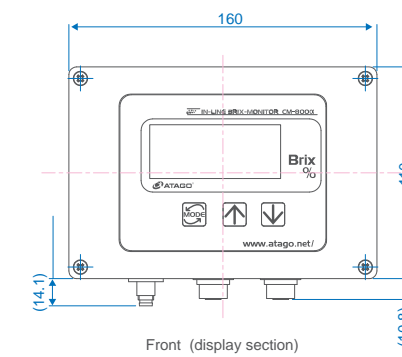
Output method

Power supply :DC24V * An optional accessory, "AC Adapter AD-32" is available to convert AC100V to DC24V.
(Reflective index output is standard with RS-232C; it is optional with recorder.)



Dimensions (unit of length: mm)

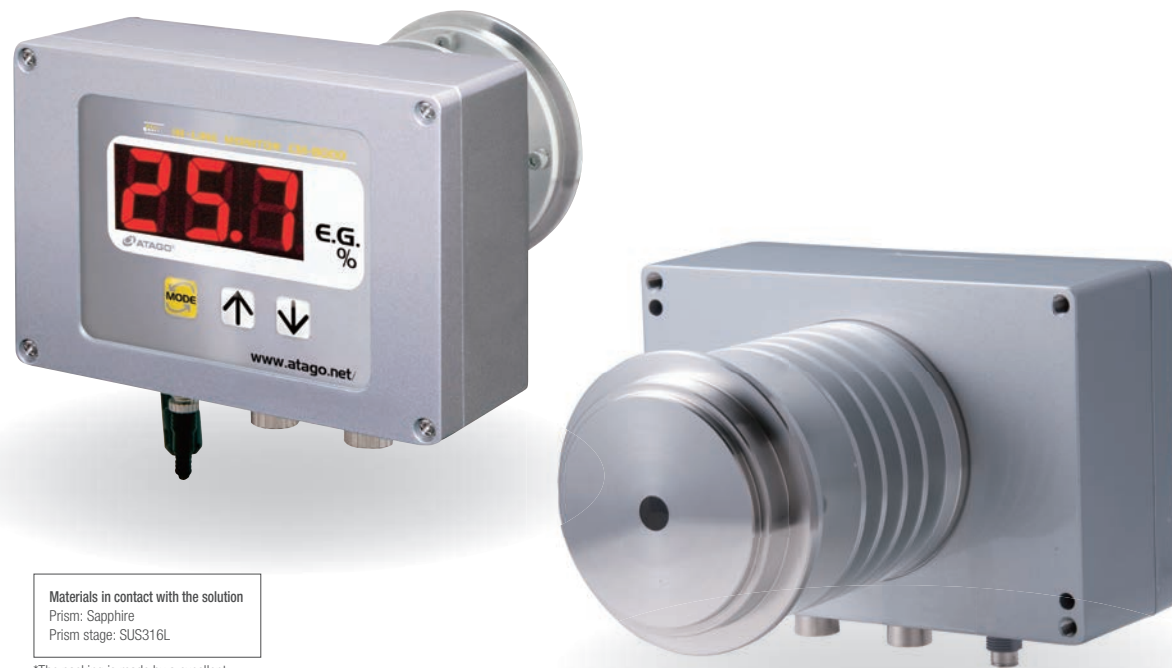
16×16.7×11cm, 2.4kg (Main Unit only)



CM™-800α series



<Special Scales>



Materials in contact with the solution
Prism: Sapphire
Prism stage: SUS316L

*The packing is made by an excellent chemical resistance material.

Ethylene Glycol Concentration

CM™-800α-EG

Specifications

Cat.No.	3531
Measurement items	① Ethylene glycol concentration(%: v/v) (ATC), ② Ethylene glycol freezing point (ATC), ③ Temperature(°C / °F)
Measurement range	① 0.0 to 90.0%, ② -50 to 0°C / -58 to 32°F
Resolution	① 0.1%, ② 1°C / 1°F
Measurement accuracy	① ±0.4%, ② ±1°C / ±1°F

Saline Concentration

CM™-800α-SW

Specifications

Cat.No.	3533
Measurement items	① Salinity(%) (ATC), ② Temperature(°C / °F)
Measurement range	① 0.00 to 28.0%, ② -15 to 160°C / 5 to 320°F
Resolution	① 0.01 or 0.1(2nd decimal place shown per selection for 0.00 - 9.99%) ② 1°C / 1°F
Measurement accuracy	① ±0.1%, ② ±1°C / ±1°F

Hydrogen Peroxide Solution Concentration

CM™-800α-H₂O₂

Specifications

Cat.No.	3522
Measurement items	① H ₂ O ₂ (%: W/W) (Temperature Compensation Range: 10 to 35°C) ② Temperature(°C / °F)
Measurement range	① 0.0 to 50.0%, ② -15 to 160°C / 5 to 320°F
Resolution	① 0.2%, ② 1°C / 1°F
Measurement accuracy	① ±0.6%, ② ±1°C / ±1°F

ATC=Automatic Temperature Compensation

Propylene Glycol Concentration

CM™-800α-PG

Specifications

Cat.No.	3532
Measurement items	① Propylene glycol concentration(%: v/v) (ATC), ② Propylene glycol freezing point (ATC), ③ Temperature(°C / °F)
Measurement range	① 0.0 to 90.0%, ② 0 to -50°C / 32 to -58°F
Resolution	① 0.1%, ② 1°C / 1°F
Measurement accuracy	① ±0.4%, ② ±1°C / ±1°F

Sodium Hydroxide Concentration

CM™-800α-NaOH

Specifications

Cat.No.	3521
Measurement items	① NaOH(%: W/W) (Temperature Compensation Range: 10 to 35) ② Temperature(°C / °F)
Measurement range	① 0.0 to 38.0%, ② -15 to 160°C / 5 to 320°F
Resolution	① 0.1%, ② 1°C / 1°F
Measurement accuracy	① ±0.2%, ② ±1°C / ±1°F

Ethyl Alcohol Concentration

CM™-800α-Ethanol(V/V)

Specifications

Cat.No.	3523
Measurement items	① Ethanol(%:V/V) (Temperature Compensation Range: 5 to 30°C) ② Temperature(°C / °F)
Measurement range	① 0.0 to 53.0%, ② -15 to 160°C / 5 to 320°F
Resolution	① 0.1%, ② 1°C / 1°F
Measurement accuracy	① ±1.0%, ② ±1°C / ±1°F

*Not explosion proof. Contact ATAGO regarding explosion proof.

Isopropyl Alcohol Concentration

CM™-800α-IPA

Specifications

Cat.No.	3524
Measurement items	① IPA (Temperature Compensation Range: 10 to 35 °C) ② Temperature(°C / °F)
Measurement range	① 0.0 to 50.0%, ② -15 to 160°C / 5 to 320°F
Resolution	① 0.1%, ② 1°C / 1°F
Measurement accuracy	① ±0.4%, ② ±1°C / ±1°F

*Not explosion proof. Contact ATAGO regarding explosion proof.

N-Methyl-2-Pyrrolidone Concentration

CM™-800α-NMP

Specifications

Cat.No.	3526
Measurement items	① NMP (Temperature Compensation Range: 10 to 60) ② Temperature(°C / °F)
Measurement range	① 0.0 to 100.0%, ② -15 to 160°C / 5 to 320°F
Resolution	① 0.01 to 9.99% (2nd decimal place shown per selection for 0.00 - 9.99%) ② 1°C / 1°F
Measurement accuracy	① ±0.1%, ② ±1°C / ±1°F

*Not explosion proof. Contact ATAGO regarding explosion proof.

Urea Concentration

CM™-800α-Urea

Specifications

Cat.No.	3535
Measurement items	① Urea(Adblue) (Temperature Compensation Range: 10 to 40) ② Temperature(°C / °F)
Measurement range	① 0.0 to 55.0%, ② -15 to 160°C / 5~320°F
Resolution	① 0.1%, ② 1°C / 1°F
Measurement accuracy	① ±0.3%, ② ±1°C / ±1°F

Wine Concentration

CM™-800α-Wine(Baume)

Specifications

Cat.No.	3517
Measurement items	① Baume (Temperature Compensation Range: 10 to 40) ② Temperature(°C / °F)
Measurement range	① 0.0 to 21.0°, ② -15 to 160°C / 5~320°F
Resolution	① 0.1°, ② 1°C / 1°F
Measurement accuracy	① ±0.2°, ② ±1°C / ±1°F

Wine Concentration

CM™-800α-Wine(TA)

Specifications

Cat.No.	3519
Measurement items	① T.A.1990 (Temperature Compensation Range: 10 to 40) ② Temperature(°C / °F)
Measurement range	① 0.0 to 26.0%, ② -15 to 160°C / 5~320°F
Resolution	① 0.1%, ② 1°C / 1°F
Measurement accuracy	① ±0.2%, ② ±1°C / ±1°F

Calcium Chloride Concentration

CM™-800α-CaCl₂

Specifications

Cat.No.	3538
Measurement items	① Calcium Chloride(W/W) ② Temperature(°C / °F)
Measurement range	① 0.0 to 35.0%, ② -15 to 160°C / 5~320°F
Resolution	① 0.1%, ② 1°C / 1°F
Measurement accuracy	① ±0.2%, ② ±1°C / ±1°F

Ethyl Alcohol Concentration

CM™-800α-Ethanol(W/W)

Specifications

Cat.No.	3525
Measurement items	① Ethanol(%:W/W) (Temperature Compensation Range: 5 to 35°C) ② Temperature(°C / °F)
Measurement range	① 0.0 to 60.0% *Guaranteed accuracy range up to 45.0%, ② -15 to 160°C / 5 to 320°F
Resolution	① 0.1%, ② 1°C / 1°F
Measurement accuracy	① ±1.0%, ② ±1°C / ±1°F

*Not explosion proof. Contact ATAGO regarding explosion proof.

Dimethylformamide Concentration

CM™-800α-DMF

Specifications

Cat.No.	3534
Measurement items	① DMF (Automatic Temperature Compensation in accordance with the sample) ② Temperature(°C / °F)
Measurement range	① 0.0 to 40.0%, ② -15 to 160°C / 5 to 320°F
Resolution	① 0.1%, ② 1°C / 1°F
Measurement accuracy	① ±0.3%, ② ±1°C / ±1°F

Wort Concentration

CM™-800α-Plato

Specifications

Cat.No.	3536
Measurement items	① Plato(%:W/W) (Temperature Compensation Range: 10 to 75) ② Temperature(°C / °F)
Measurement range	① 0.0 to 30.0%, ② -15 to 160°C / 5 to 320°F
Resolution	① 0.1%, ② 1°C / 1°F
Measurement accuracy	① ±0.2%, ② ±1°C / ±1°F

Wine Concentration

CM™-800α-Wine(Oe/GER)

Specifications

Cat.No.	3518
Measurement items	① Oe(GER) (Temperature Compensation Range: 10 to 40) ② Temperature(°C / °F)
Measurement range	① 0 to 240°, ② -15 to 160°C / 5 to 320°F
Resolution	① 1°, ② 1°C / 1°F
Measurement accuracy	① ±1°, ② ±1°C / ±1°F

Soymilk Concentration

CM™-800α-Soymilk

Specifications

Cat.No.	3514
Measurement items	① Soy Milk concentration ② Temperature(°C / °F)
Measurement range	① 0.0 to 20.0%, ② -15 to 160°C / 5~320°F
Resolution	① 0.1%, ② 1°C / 1°F
Measurement accuracy	① ±0.2%, ② ±1°C / ±1°F