

# CM™-BASEα



### Equipped with an offset function

Equipped with a new offset function.  
The sample can be managed at the actual concentration.

Materials in contact with the solution  
Prism: Sapphire  
Prism stage: SUS304

\*The packing is made by an excellent chemical resistance material.

Capable of data output via RS-232C + 4-20mA, CM™-BASEα has arrived.  
It can be used to manage water-soluble cutting oil, grinding fluid, cleaning fluid, etc.

### Specifications

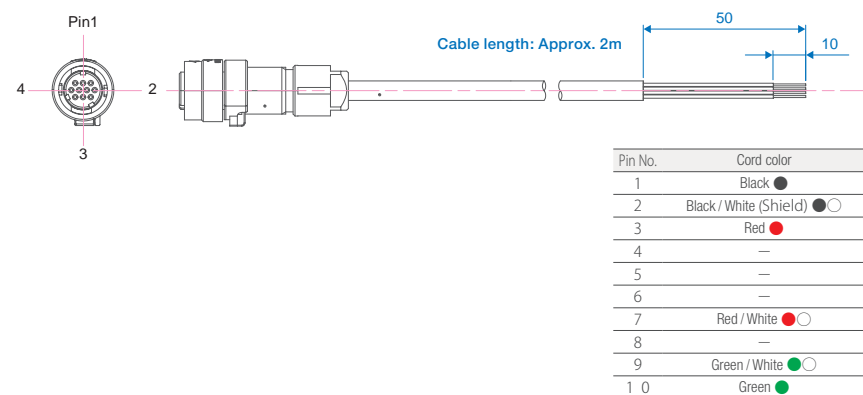
Cat.No.	3713
Measurement items	Brix (temperature compensation according to sucrose)
Measurement range	0.0 to 33.0%
Resolution	0.1%
Measurement accuracy	±0.5%
Temperature compensation range	10 to 50°C
Measurement interval	Approximately 2 second/per. *Same with the output intervals.
Pressure resistance	0.98MPa
Ambient temperature	5 to 40°C

Remove the unit from a pipeline if a high temperature CIP liquid will be used.

### Power Supply and Output Method

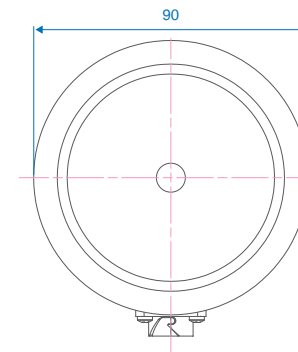
Power supply : DC24V

Connect the cable to the connector on the bottom of the CM-BASEα to supply DC24V power as well as DC4 to 20mA and RS-232C data output. The cable can be extended as an option.

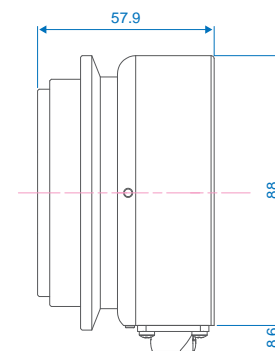


### Dimensions (unit of length: mm)

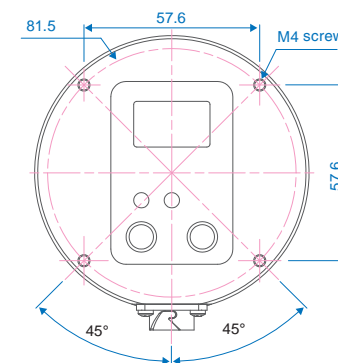
9×9×5.79cm, 820g (Main Unit only)



Back (detection section)



Side



Front (display section)

# CM™-BASEα-Plus



Selected for IoT tool and recipe for small and medium-sized manufacturing industry.

## Equipped with an offset function

Equipped with a new offset function. The sample can be managed at the actual concentration.



Materials in contact with the solution  
Prism: Sapphire  
Prism stage: SUS304

\*The packing is made by an excellent chemical resistance material.

0.0 to 93.0% Brix measurement range.

Useful for the concentration management of water soluble cutting oil, grinding fluid, cleaning solution, and more.

## Specifications

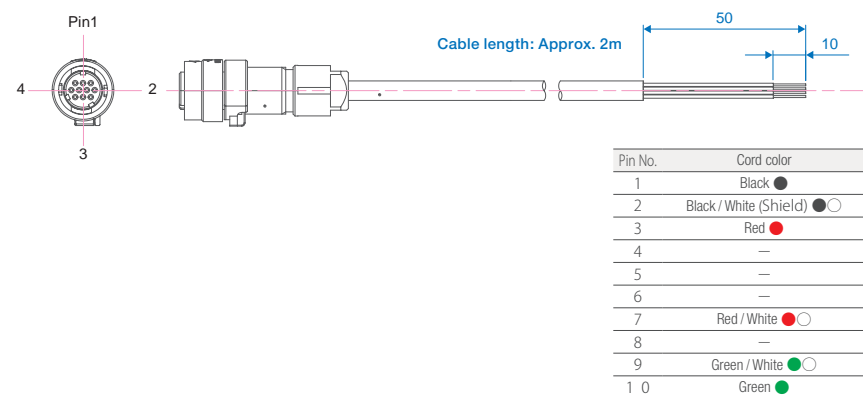
Cat.No.	5811
Measurement items	Brix (temperature compensation according to sucrose)
Measurement range	0.0 to 93.0%
Resolution	0.1%
Measurement accuracy	±0.5%
Temperature compensation range	10 to 95°C
Measurement Interval	Approximately 2 second/per. *Same with the output intervals.
Pressure resistance	0.98MPa
Ambient temperature	5 to 40°C

Remove the unit from a pipeline if a high temperature CIP liquid will be used.

## Power Supply and Output Method

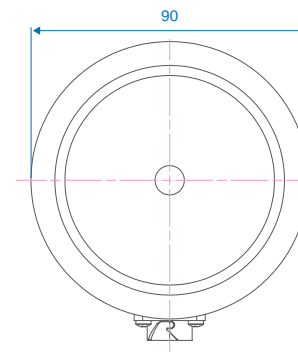
Power supply : DC24V

Connect the cable to the connector on the bottom of the CM-BASEα-Plus to supply DC24V power as well as DC4 to 20mA and RS-232C data output. The cable can be extended as an option.

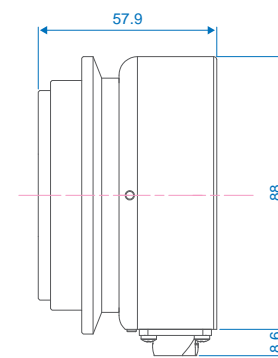


## Dimensions (unit of length: mm)

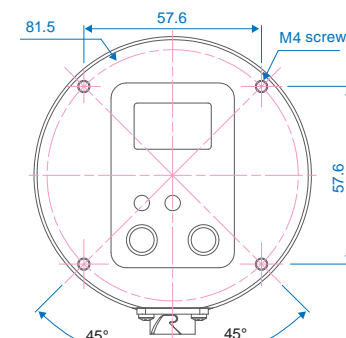
9×9×5.79cm, 830g (Main Unit only)



Back (detection section)



Side



Front (display section)

# CM™-BASEα-MAX



Selected for IoT tool and recipe for small and medium-sized manufacturing industry.



### Equipped with an offset function

Equipped with a new offset function. The sample can be managed at the actual concentration.

Materials in contact with the solution  
Prism: Sapphire  
Prism stage: SUS304

\*The packing is made by an excellent chemical resistance material.

CM-BASEα-MAX has a measurement range of 0.0 to 93.0% Brix, and can measure at a higher accuracy of  $\pm 0.2\%$  Brix.

### Specifications

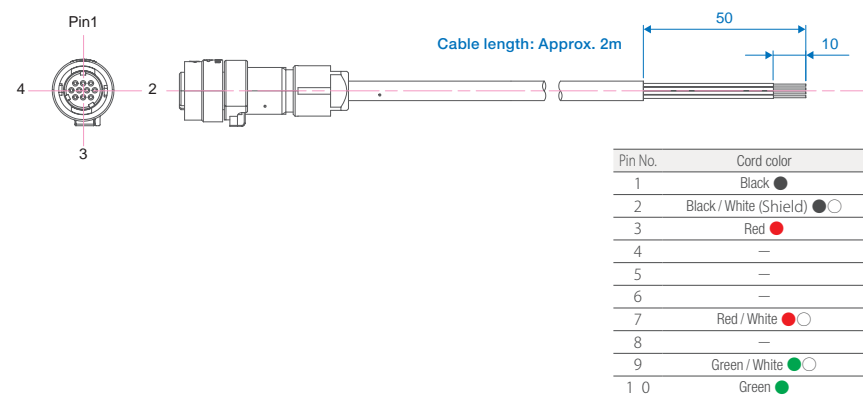
Cat.No.	5821
Measurement items	Brix (temperature compensation according to sucrose)
Measurement range	0.0 to 93.0%
Resolution	0.1%
Measurement accuracy	$\pm 0.2\%$
Temperature compensation range	10 to 95°C
Measurement Interval	Approximately 2 second/per. *Same with the output intervals.
Pressure resistance	0.98MPa
Ambient temperature	5 to 40°C

Remove the unit from a pipeline if a high temperature CIP liquid will be used.

### Power Supply and Output Method

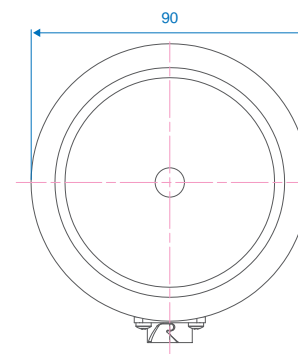
Power supply : DC24V

Connect the cable to the connector on the bottom of the CM-BASEα-Plus to supply DC24V power as well as DC4 to 20mA and RS-232C data output. The cable can be extended as an option.

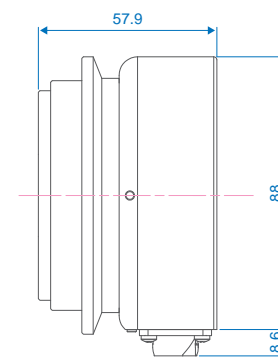


### Dimensions (unit of length: mm)

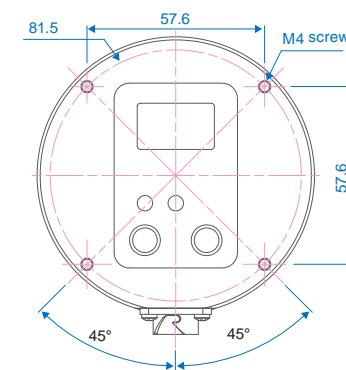
9×9×5.79cm, 830g (Main Unit only)



Back (detection section)



Side



Front (display section)

# CM™-BASEα series



Selected for IoT tool and recipe for small and medium-sized manufacturing industry.

## <Special Scales>



Materials in contact with the solution  
Prism: Sapphire  
Prism stage: SUS304

\*The packing is made by a excellent chemical resistance material.

### Saline Concentration CM™-BASEα-03S

#### Specifications

Cat.No.	3783
Measurement items	Salinity(W/W) (ATC)
Measurement range	0.0 to 28.0%
Resolution	0.1%
Measurement accuracy	±0.5%

### Dimethylformamide Concentration CM™-BASEα™-38S

#### Specifications

Cat.No.	3794
Measurement items	DMF(W/W) (ATC)
Measurement range	0.0 to 45.0%
Resolution	0.2%
Measurement accuracy	±1.0%

### Hydrogen Peroxide Solution Concentration CM™-BASEα-39S

#### Specifications

Cat.No.	3795
Measurement items	H2O2(W / W) (ATC)
Measurement range	0.0 to 50.0%
Resolution	0.2%
Measurement accuracy	±1.4%

### Sodium Hydroxide Concentration CM™-BASEα-40S

#### Specifications

Cat.No.	3796
Measurement items	NaOH(W/W) (ATC)
Measurement range	0.0 to 38.0%
Resolution	0.1%
Measurement accuracy	±0.5%

### Urea Concentration CM™-BASEα-Urea

#### Specifications

Cat.No.	3789
Measurement items	Urea(Adblue) (ATC)
Measurement range	0.0 to 50.0%
Resolution	0.1%
Measurement accuracy	±0.5%

### Sodium Chloride (S.G.) CM™-BASEα-04S

#### Specifications

Cat.No.	3784
Measurement items	Sodium chloride(S.G.) (ATC)
Measurement range	1.000 to 1.217
Resolution	0.001
Measurement accuracy	±0.005

### Sodium Chloride (Baume) CM™-BASEα-05S

#### Specifications

Cat.No.	3785
Measurement items	Sodium chloride(Baume) (ATC)
Measurement range	0.0 to 25.7°
Resolution	0.1°
Measurement accuracy	±0.5°

### Salinity Of Seawater CM™-BASEα-06S

#### Specifications

Cat.No.	3786
Measurement items	Salinity of Seawater (ATC)
Measurement range	0 to 100‰
Resolution	1‰
Measurement accuracy	±5‰

### Sea Water (S.G.) CM™-BASEα-07S

#### Specifications

Cat.No.	3787
Measurement items	Sea water(S.G.) (ATC)
Measurement range	1.000 to 1.070
Resolution	0.001
Measurement accuracy	±0.005

### Sea Water (Baume) CM™-BASEα-08S

#### Specifications

Cat.No.	3788
Measurement items	Sea water (Baume) (ATC)
Measurement range	0.0 to 10.0°
Resolution	0.1°
Measurement accuracy	±0.5°

### Concentration Of Soy milk CM™-BASEα-27S

#### Specifications

Cat.No.	3791
Measurement items	Concentration of Soy milk (ATC)
Measurement range	0.0 to 20.0%
Resolution	0.1%
Measurement accuracy	±0.5%

### Citric Acid CM™-BASEα-29S

#### Specifications

Cat.No.	3792
Measurement items	Citric acid (ATC)
Measurement range	0.0 to 10.0%
Resolution	0.1%
Measurement accuracy	±0.5%

### Acetic Acid CM™-BASEα-30S

#### Specifications

Cat.No.	3793
Measurement items	Acetic acid (ATC)
Measurement range	0.0 to 20.0%
Resolution	0.2%
Measurement accuracy	±1.0%

### Magnesium Chloride CM™-BASEα-43S

#### Specifications

Cat.No.	3797
Measurement items	Magnesium chloride (ATC)
Measurement range	0.0 to 30.0%
Resolution	0.1%
Measurement accuracy	±0.5%

### Cutting Oil CM™-BASEα-101S

#### Specifications

Cat.No.	3798
Measurement items	Cutting Oil (ATC)
Measurement range	0.00 to 50.0%
Resolution	0.1%
Measurement accuracy	±0.5%

### Dampening Waterater CM™-BASEα-Dampening Water

#### Specifications

Cat.No.	3782
Measurement items	Dampening water (ATC)
Measurement range	0.0 to 50.0%
Resolution	0.1%
Measurement accuracy	±0.5%

ATC=Automatic Temperature Compensation